

ALPHA

AUDIO

ACCESS CONTROL SYSTEMS

INSTALLATION INSTRUCTIONS



ISSUE : 001/UK

REF : ALPHA_AS.PPP

MAIN FEATURES

DOOR PANEL TYPES - Aluminium, S/Steel & Polished Brass
HIGH QUALITY AMPLIFIER - Individual volume & buzzer controls
LOW PROFILE SURFACE MOUNTING BOX - Only 30mm deep
REVOLUTIONARY PHONE - With tone generated buzzer
CALL TONE CONTROL - Allows volume adjustment of call tone
ADDITIONAL VOLT FREE BUTTON - Allows connection to gates
POWER SUPPLY - May be either a simple 12VAC or DC input

TECHNICAL SPECIFICATION

Amplifier Power 12V AC/DC 50mA
Amplifier Speaker 50mm dia. 8ohms 0.25w
Amplifier Microphone 10mm dia. electret microphone
Handset Speaker 50mm dia. 8ohms 0.25w
Handset Microphone 50mm dia. carbon microphone
Door Panel to Handset Typ. cable run 100M (8 wire)

SYSTEM DESIGN

ALPHA Audio Access Systems are a low cost but fully featured family of products that can be used in either simple single door applications, multiple apartment systems or multiple office situations. They can be combined with any of the DECA Digital, Mag Swipe Card or Proximity Tag access systems to provide control for single doors or more complex multiple door installations.

All of the items needed to install a working access control system are included in the kit, with the exception of the latch lock (see Notes). Any of the DECA Access systems (Digital, Mag Swipe or Proximity) can be connected to the DECA Printer Interface to provide an audit trail of entry events.

OVERVIEW & INSTALLATION INSTRUCTIONS

The ALPHA Audio Entry System is a simple to install door entry system allowing audio communication and remote operation of the door release to provide entry for unauthorized personnel.

EQUIPMENT

The audio system is normally supplied in kit form containing a door panel for mounting outside the door, wall mounted telephone handsets as required, and a standard surface fitting lock release.

SYSTEM OPERATION

The visitor presses the button on the door panel to activate a call tone at the handset, two way communication enables identification. Access is allowed with the release button.

TELEPHONE HANDSET

To release the telephone cover remove the handset from its cradle, press in the clips on each side and slide down.

ADDITIONAL PUSH BUTTON

The telephone handset has a volt free, (N/O) push button, with a "star" symbol, terminals "L & L", allowing connection to other access control systems or automatic gates etc.

AMPLIFIER

The amplifier has two volume controls marked "PHONE"

and "DOOR". These controls should be adjusted with a small screwdriver or a pot trimmer to give the maximum volume without feed back (ie. High pitched whistle or echo in the ear piece) when the handset is in use, lifted or replaced.

POWER SUPPLY

The audio system is powered by the 12VAC PSU supplied in the kit.

LOCK RELEASE

The lock release is a 12V surface fitting failsecure unit supplied in the installation kit, for an inward opening wooden door fitted with a surface latch lock.

INSTALLATION INSTRUCTIONS

DOOR PANEL

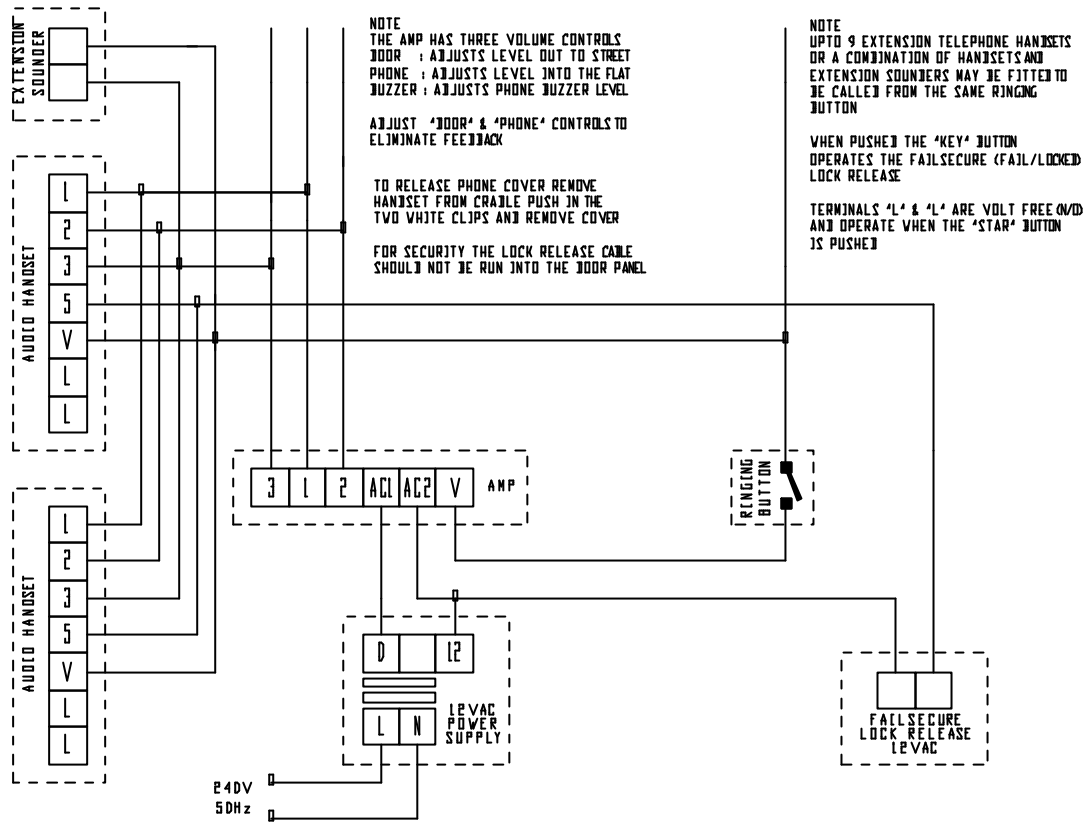
Install on the unsecure side of the door adjacent to the door frame, if external fit a weather shield and seal between the weather shield and wall. Adjust the volume and buzzer controls to the required level.

TELEPHONE HANDSET

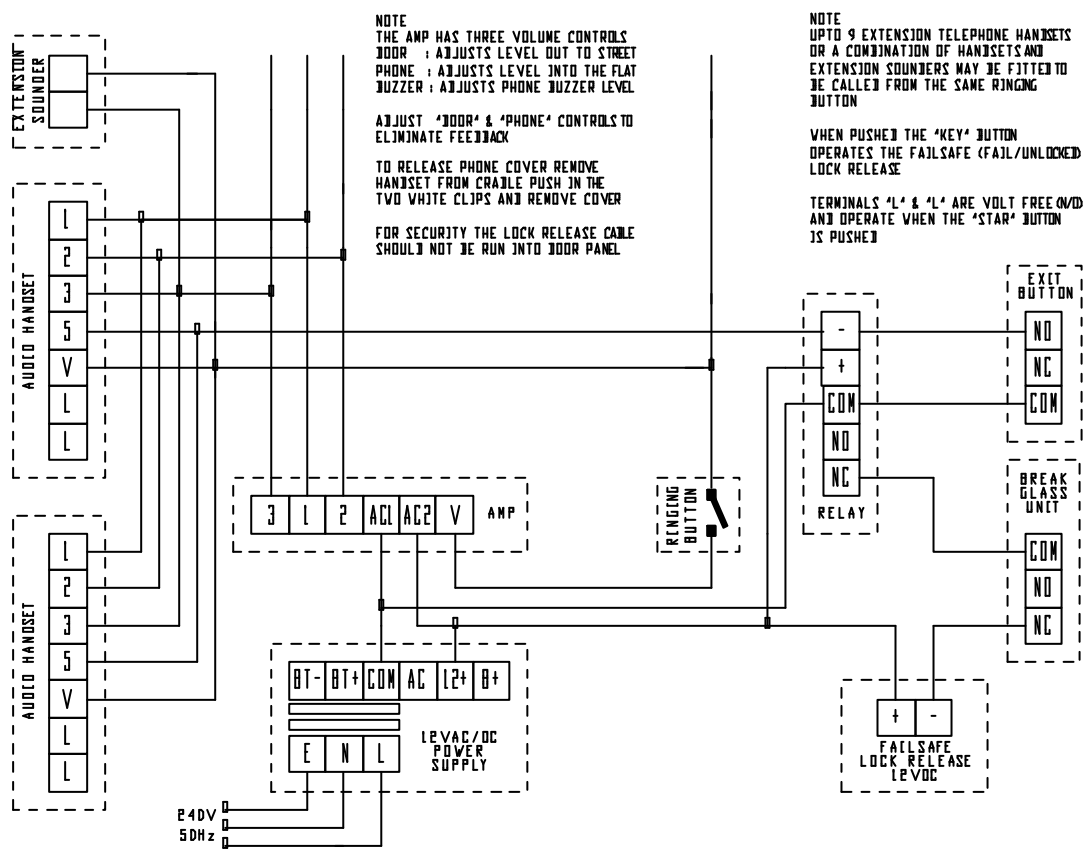
Install on the secure side internally wall mounted.

POWER SUPPLY

Install on the secure side, fed via a 5amp 240VAC supply.



(1) 12VAC PSU, ONE BUTTON DOOR PANEL, FAILSECURE (F/LOCKED) 12VAC RELEASE, 2X1 HANDSET & EXTENSION SOUNDER



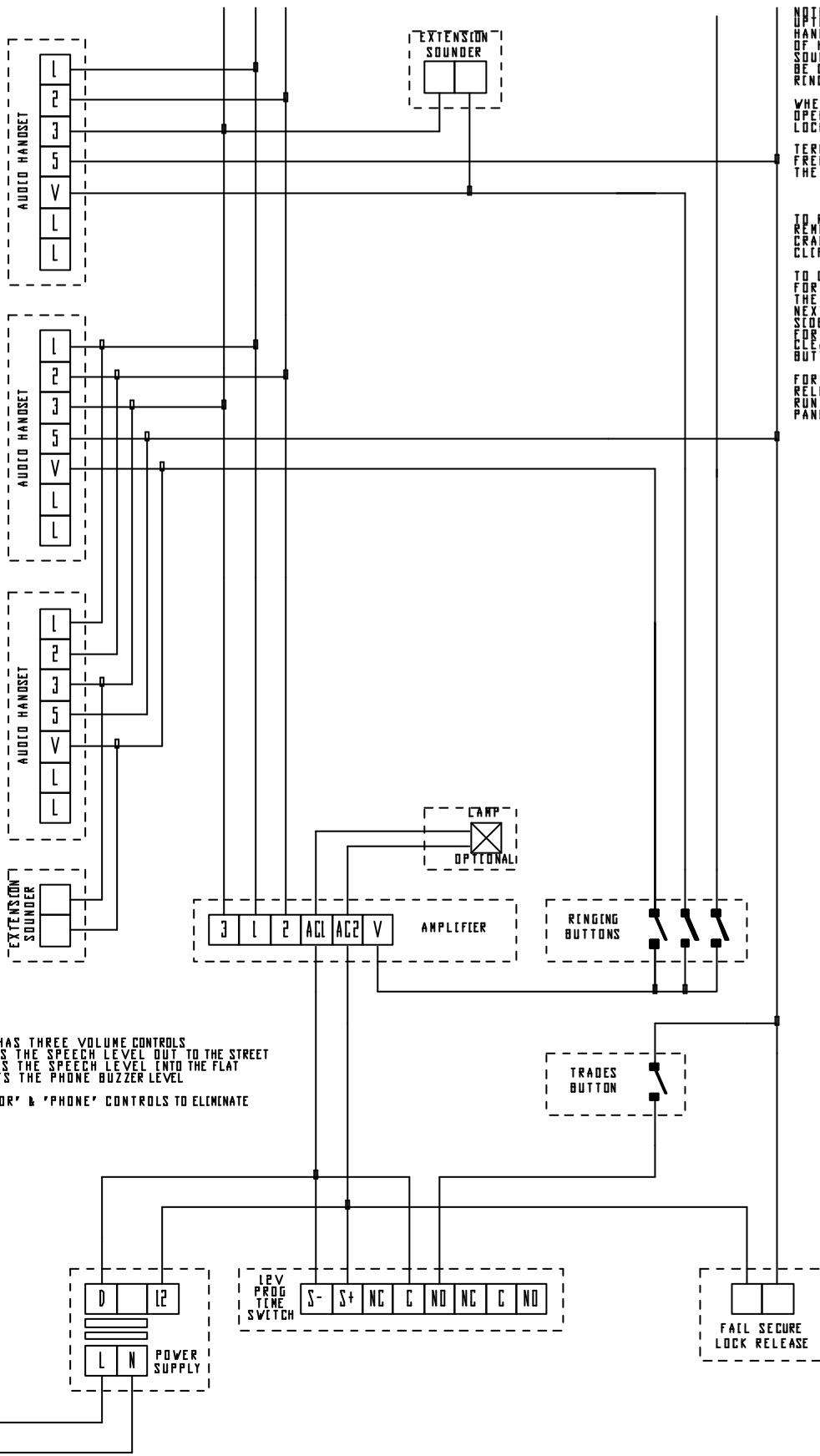
(2) 12VAC/DC PSU, 1 BUT PAN, F/SAFE (F/UNLOCKED) 12VDC REL, RELAY, E/BUTTON, 1/GLASS, PHONES & E/SOUNDER

DATE DL-3-2006
ISSUE DD4
DRAWN KGJ

ALPHA AUDIO
ACCESS CONTROL SYSTEM

- (1) 12VAC PSU, 1 BUTT PANEL, F/SECURE (F/LOCKED) 12V REL, 2X1 PHONE & E/SOUNDER
- (2) 12VAC/DC PSU, 1 BUT PAN, F/SAFE (F/UNLOCKED) 12VDC REL, RELAY, E/BUTTON, 1/GLASS, PHONES & E/SOUNDER

DRAWING NUMBER
ALPHA-A
040_029



NOTE
 UPTO 10 EXTENSION TELEPHONE
 HANDSETS OR A COMBINATION
 OF HANDSETS & EXTENSION
 SOUNDERS MAY BE FITTED TO
 BE CALLED FROM THE SAME
 RINGING BUTTON.

WHEN PUSHED THE 'KEY' BUTTON
 OPERATES THE FAIL SECURE
 LOCK RELEASE.

TERMINALS 'L' & 'L' ARE VOLT
 FREE (N/O) AND OPERATE WHEN
 THE 'STAR' BUTTON IS PUSHED.

TO RELEASE THE PHONE COVER
 REMOVE THE HANDSET FROM THE
 CRADLE PUSH IN THE TWO WHITE
 CLIPS AND REMOVE THE COVER.

TO INSERT NAME TAGS:
 FOR SINGLE BUTTONS PRESS IN
 THE CORNER OF THE NAME PLATE
 NEXT TO THE BUTTON AND SLIDE
 SIDEWAYS.
 FOR DOUBLE BUTTONS UNCLIP THE
 CLEAR LENS COVER FROM THE
 BUTTON.

FOR SECURITY REASONS THE LOCK
 RELEASE CABLE SHOULD NOT BE
 RUN DIRECTLY INTO THE DOOR
 PANEL.

NOTE
 THE AMPLIFIER HAS THREE VOLUME CONTROLS
 DOOR - ADJUSTS THE SPEECH LEVEL OUT TO THE STREET
 PHONE - ADJUSTS THE SPEECH LEVEL INTO THE FLAT
 BUZZER - ADJUSTS THE PHONE BUZZER LEVEL

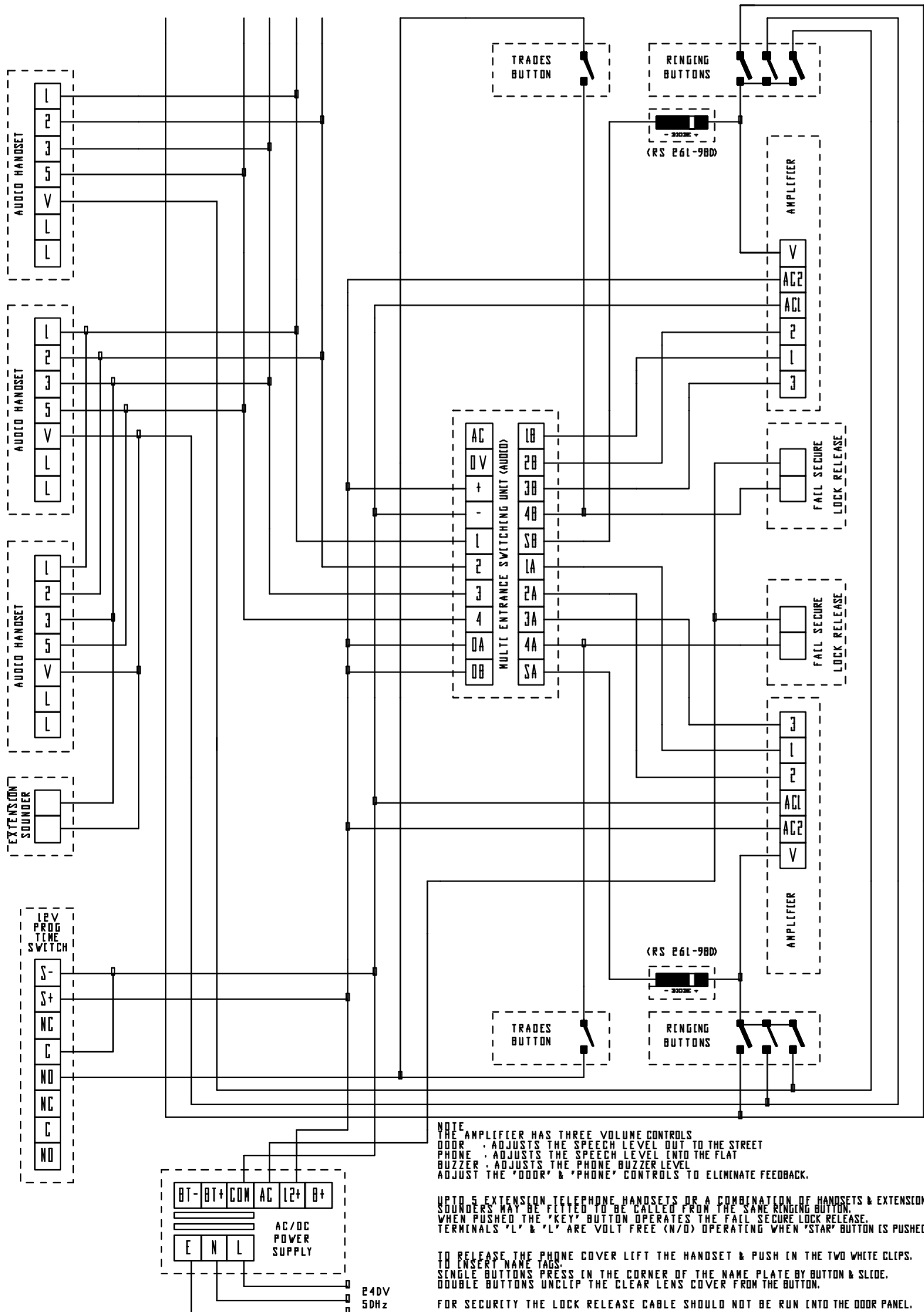
ADJUST THE 'DOOR' & 'PHONE' CONTROLS TO ELIMINATE
 FEEDBACK.

240V
 50Hz

DATE 15-09-2003
 ISSUE 002
 DRAWN KGJ

ALPHA AUDIO
 ACCESS CONTROL SYSTEM
 AUDIO DOOR SYSTEM WITH MULTIPLE BUTTON DOOR PANEL, TRADEMENS LEVAC/DC TIME SWITCH
 LEVAC PSU, FAILSECURE LEVAC RELEASE, SINGLE TELEPHONE HANDSET PER FLAT
 PLUS
 EXTENSION TELEPHONE HANDSETS, EXTENSION SOUNDERS & OPTIONAL LAMP.

DRAWING NUMBER
 ALPHA-A
 040_002



DATE 15-9-2003
 ISSUE D02
 DRAWN KGJ

ALPHA AUDIO
 ACCESS CONTROL SYSTEM
 TWO ENTRANCE AUDIO DOOR SYSTEM WITH MULTIPLE BUTTON DOOR PANELS, TRADEMENS 12VAC/DC
 TONE SWITCH, 12VAC/DC PSU, FALL SECURE 12VAC RELEASES, SINGLE TELEPHONE HANDSET PER FLAT,
 PLUS
 EXTENSION TELEPHONE HANDSETS & EXTENSION SOUNDEERS.

DRAWING NUMBER
 ALPHA-A
 040_003

