

ALPHA

VISUAL SYSTEM
(BLACK & WHITE)
ACCESS CONTROL SYSTEMS

INSTALLATION INSTRUCTIONS



ISSUE : 001/UK

REF : ALPHA_VS_(B&W),PPP

MAIN FEATURES

DOOR PANEL TYPES - Aluminium, S/Steel & Polished Brass
BUILT IN CCD CAMERA - With 3.7mm auto iris wide lens
INFRA RED LIGHTING - For portrait and back up illumination
HIGH QUALITY AMPLIFIER - Individual volume & buzzer controls
LOW PROFILE SURFACE MOUNTING BOX - Only 30mm deep
REVOLUTIONARY HANDSET/MONITOR - With call tone buzzer
CALL TONE CONTROL - Allows volume adjustment of call tone
PICTURE CALL UP BUTTON - Allows viewing at any time
SIMPLE WIRING - Coaxial system allows long cable runs
POWER SUPPLY - May be a simple 12VAC/DC input

TECHNICAL SPECIFICATION

Power Supply Unit 240v prim. 12vAC/DC sec. (1amp)
Amplifier Power 12v AC/DC 50mA
Amplifier Speaker 50mm dia. 8ohms 0.25w
Amplifier Microphone 10mm dia. electret microphone
Handset Speaker 50mm dia. 8ohms 0.25w
Handset Microphone 50mm dia. carbon microphone
Monitor screen 12VDC 300mA 1vp/p 75ohm
CCD Camera (1/3") 9VDC 118mA 1vp/p 75ohm 3.7mm
Lighting Levels 3Lux VL/peak 530nm IR/peak 850nm

SYSTEM DESIGN

ALPHA (B&W) Visual Entry Systems are a low cost but fully featured family of products that can be used in simple single door applications, multiple apartment systems, or multiple office situations. They can be combined with any of the DECA Digital, Swipe Card, or Proximity Tag, access systems to provide control for single doors or more complex multiple door installations.

All of the items needed to install a working access control system are included in the kit, with the exception of a latch lock, see note.

Any of the DECA Access systems (Digital, Swipe Card or Proximity) can be connected to the DECA Printer Interface to provide an audit trail of entry events.

OVERVIEW & INSTALLATION INSTRUCTIONS

The ALPHA (B&W) Visual Entry System is a simple to install door entry system allowing audio/visual communication and remote operation of the door release to provide entry for unauthorized personnel.

EQUIPMENT

The audio/visual system is normally supplied in kit form containing a door panel complete with CCD camera & infra red lighting for mounting outside the door, wall mounted handset/monitors & PSU/Distributors and a standard surface fitting lock release.

SYSTEM OPERATION

Operation requires the visitor to press the button on the door panel to activate a call tone in the handset/monitor, a visual image will be displayed and two way conversation activated, enabling identification of the caller. Access is allowed by pressing the release button.

TELEPHONE HANDSET/MONITOR

To release the telephone cover remove the handset from its cradle press in the clips on each side and slide down. The contrast and brightness controls, located on the bottom of the unit, are multi turn. (9 turns min to max) Adjust to give the best image.

PICTURE CALL UP BUTTON

The telephone handset has picture call up button, with a "star" symbol, this allows the camera picture to be viewed at any time.

AMPLIFIER

The amplifier has two volume controls marked "Phone" & "Door". These controls should be adjusted with a small screwdriver or pot trimming tool to give the maximum volume without feed back. (ie)

high pitched whistle or echo in the ear piece when the handset is in use, lifted or replaced.

CCD CAMERA

The CCD camera is equipped with a 3.7mm wide angle pin hole lens & an auto iris shutter fixed at f4.5 The camera module also has an Infra red lighting array to provide backup and night time illumination. Visible lighting levels should be in the order of 3 lux.

POWER SUPPLY UNIT(s)

The system is powered by the 12vAC/DC PSU/Distributors.

LOCK RELEASE

The lock release is a 12vAC surface failsecure unit for inward opening wooden doors fitted with a surface latch lock.

INSTALLATION INSTRUCTIONS

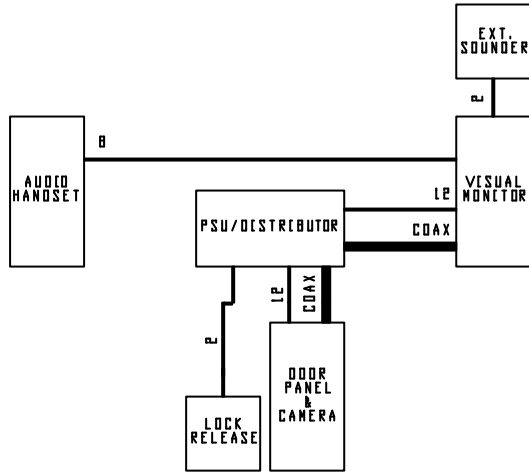
DOOR PANEL Install on the unsecure side of door adjacent to the door frame, if external seal between the back box and the wall. Adjust volume pots.

TELEPHONE HANDSET/MONITOR Install internally, fit the wall plate first ensuring that the cables are free to move within the entry hole. Clip unit to back plate & secure.

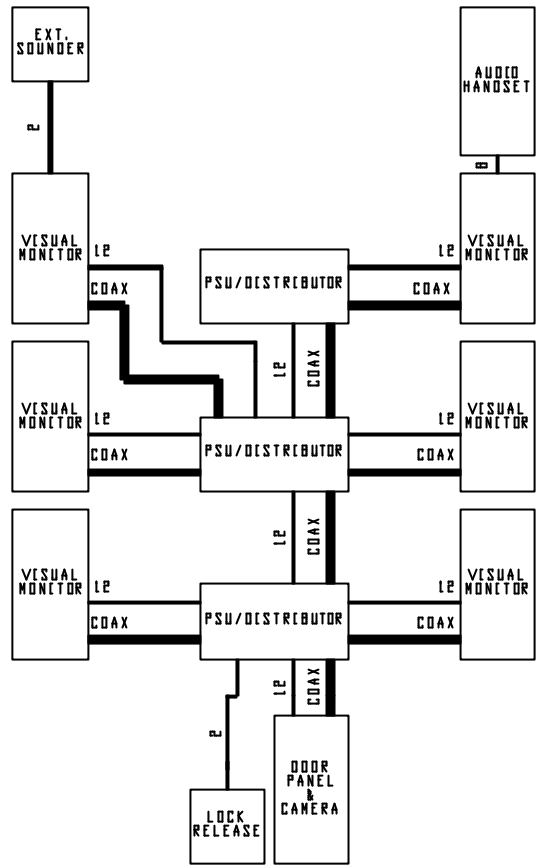
POWER SUPPLY UNIT(s) Install internally and feed via a 5amp 240v AC supply.

LOCK RELEASE Replace the existing lock keep with the electric release.

NOTE
 RECOMMENDED COAXIAL CABLE URM7D (75ohm)
 RECOMMENDED LE WIRE CABLE (7/DE)
 RECOMMENDED LE WIRE CABLE (7/DE)
 RECOMMENDED LE WIRE CABLE (7/DE)



TYPICAL ONE BUTTON SYSTEM WITH AUDIO HANDSET & EXTENSION SOUNDER



TYPICAL SIX BUTTON SYSTEM WITH AUDIO HANDSET & EXTENSION SOUNDER

AUDIO/VISUAL ENTRY SYSTEM
 PSU/DISTRIBUTOR SELECTION TABLE

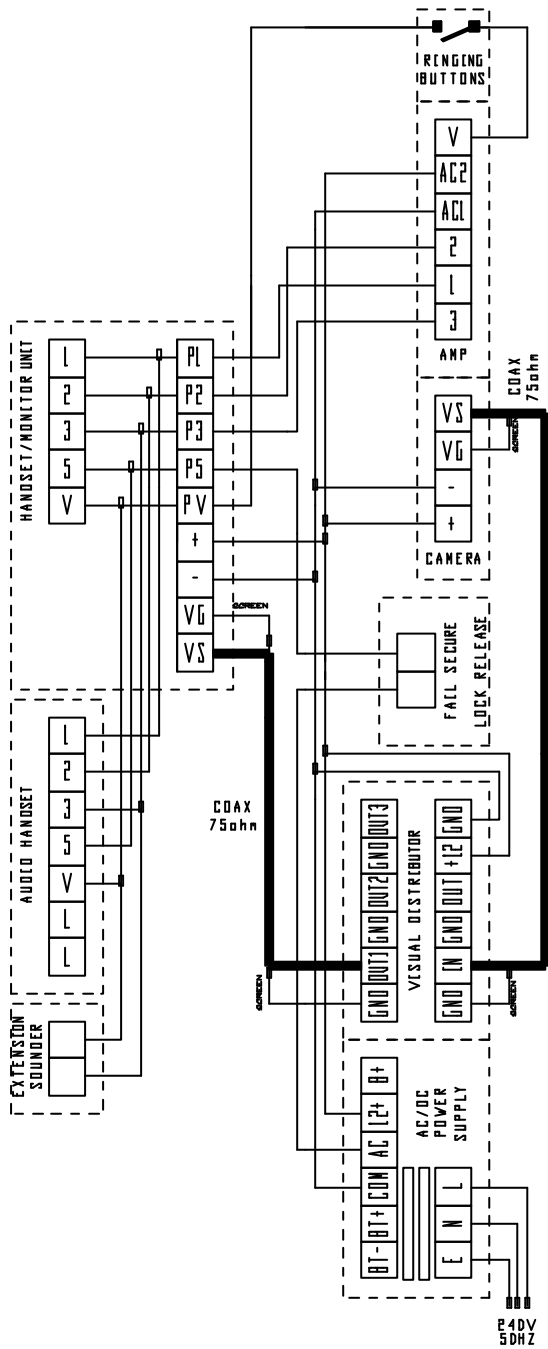
NO. OF MONITORS IN SYSTEM	NO. DIST/PSUs REQUIRED	NO. OF MONITORS IN SYSTEM	NO. DIST/PSUs REQUIRED	NO. OF MONITORS IN SYSTEM	NO. DIST/PSUs REQUIRED	NO. OF MONITORS IN SYSTEM	NO. DIST/PSUs REQUIRED	NO. OF MONITORS IN SYSTEM	NO. DIST/PSUs REQUIRED
1	1	7	3	13	5	19	7	25	9
2	1	8	3	14	5	20	7	26	9
3	2	9	4	15	6	21	8	27	10
4	2	10	4	16	6	22	8	28	10
5	2	11	4	17	6	23	8	29	10
6	3	12	5	18	7	24	9	30	11

DATE 22-1-1999
 ISSUE 003
 DRAWN KGJ

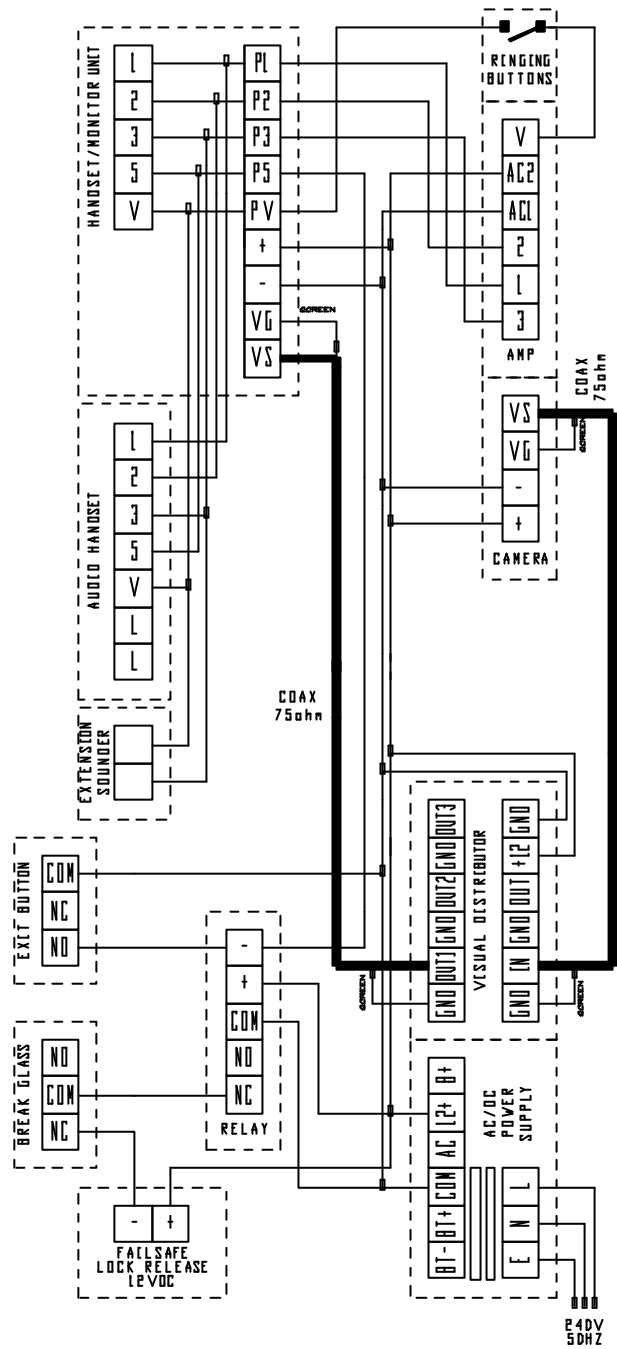
ALPHA-VS AUDIO/VISUAL
 SCHEMATIC DIAGRAM
 SCHEMATIC DIAGRAM FOR TYPICAL VISUAL SYSTEMS
 AND
 PSU/DISTRIBUTOR SELECTION CHART

DRAWING NUMBER
 ALPHA-VS
 041_013

ONE BUTTON
VISUAL SYSTEM
FAILSAFE CONNECTION



ONE BUTTON
VISUAL SYSTEM
FAILSAFE CONNECTION



GENERAL NOTES

UPTO FIVE MONITOR/HANDSETS CAN BE CALLED SIMULTANEOUSLY FROM A SINGLE BUTTON, OR A COMBINATION OF THE FOLLOWING: MONITOR/HANDSETS, ADDED ONLY HANDSETS, EXTENSION SOUNDERS. ENSURE THAT EACH HANDSET/MONITOR IS DRIVEN FROM ITS OWN DISTRIBUTOR OUTPUT AND APPROPRIATE PSU.

ENSURE LINKS ON DISTRIBUTORS ARE CORRECT (IE) LINK IN 'D' POSITION FOR FIRST UNIT (UNIT FURTHEST FROM CAMERA), ALL OTHER UNITS MUST HAVE LINK SET TO 'OFF'.

TO RELEASE PHONE COVER LEFT HANDSET & PUSH IN WHITE CLIPS. FOR SECURITY RELEASE CABLE SHOULD NOT RUN IN DOOR PANEL.

THE AMPLIFIER HAS THREE VOLUME CONTROLS
 'DOOR' : ADJUSTS SPEECH TO DOOR
 'PHONE' : ADJUSTS SPEECH TO PHONE
 'BUZZER' : ADJUSTS THE PHONE BUZZER
 ADJUST 'DOOR' & 'PHONE' TO STOP FEEDBACK.

AUDIO HANDSETS OR EXTENSION SOUNDERS APPLIED TO AUDIO VISUAL SYSTEM MUST BE CONNECTED AT THE TELEPHONE PCB (L23&V), NOT THE VISUAL PCB (PL,P2,P3&PV).

WHEN PUSHED 'EXIT' BUTTON OPERATES RELEASE.

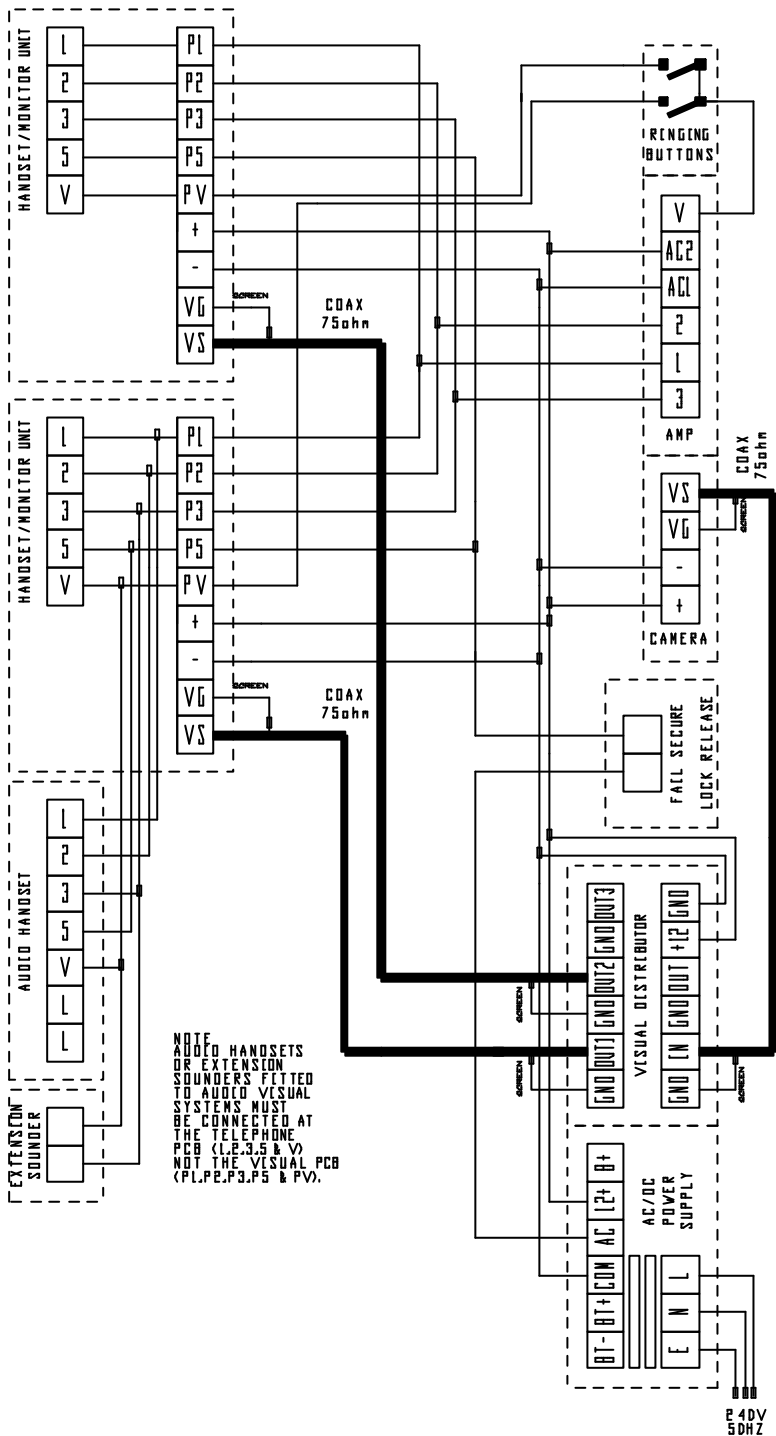
DATE 1-3-2006
 ISSUE 005
 DRAWN KGJ

ALPHA-VS AUDIO/VISUAL
 ACCESS CONTROL SYSTEM
 AUDIO/VISUAL DOOR SYSTEM WITH ONE BUTTON
 DOOR PANEL, CCD CAMERA, 1 x PSU/DISTRIBUTORS
 FAILSAFE/FALLSAFE LEV RELEASE, 1 x HANDSET/MONITORS
 AUDIO ONLY HANDSET & EXTENSION SOUNDER.

DRAWING NUMBER
 ALPHA-VS
 041_014

UPTO FIVE MONITOR/HANDSETS CAN BE CALLED SIMULTANEOUSLY FROM A SINGLE BUTTON, OR A COMBINATION OF THE FOLLOWING: MONITOR/HANDSETS, AUDIO ONLY HANDSETS, EXTENSION SOUNDERS. ENSURE THAT EACH HANDSET/MONITOR IS DRIVEN FROM ITS OWN DISTRIBUTOR OUTPUT AND APPROPRIATE PSU.

TO RELEASE PHONE COVER LEFT, HANDSET & PUSH IN WHITE CLIPS. FOR SECURITY RELEASE CABLE SHOULD NOT RUN IN DOOR PANEL.



NOTE
 AUDIO HANDSETS
 OR EXTENSION
 SOUNDERS FITTED
 TO AUDIO VISUAL
 SYSTEMS MUST
 BE CONNECTED AT
 THE TELEPHONE
 PCB (I.E. 3, 5 & V)
 NOT THE VISUAL PCB
 (PL, P2, P3, P5 & PV).

NOTE
 ENSURE LINKS ON
 DISTRIBUTORS ARE
 CORRECT. (L2) LINK
 IN 'ON' POSITION
 FOR LAST UNIT
 (UNIT FURTHEST
 FROM CAMERA).
 ALL OTHER UNITS
 MUST HAVE LINK
 SET TO 'OFF'.

NOTE
 THE AMPLIFIER HAS THREE VOLUME CONTROLS
 DOOR : ADJUSTS SPEECH TO DOOR
 PHONE : ADJUSTS SPEECH TO PHONE
 BUZZER : ADJUSTS THE PHONE BUZZER
 ADJUST 'DOOR' & 'PHONE' TO STOP FEEDBACK.
 WHEN PUSHED 'KEY' BUTTON OPERATES RELEASE.

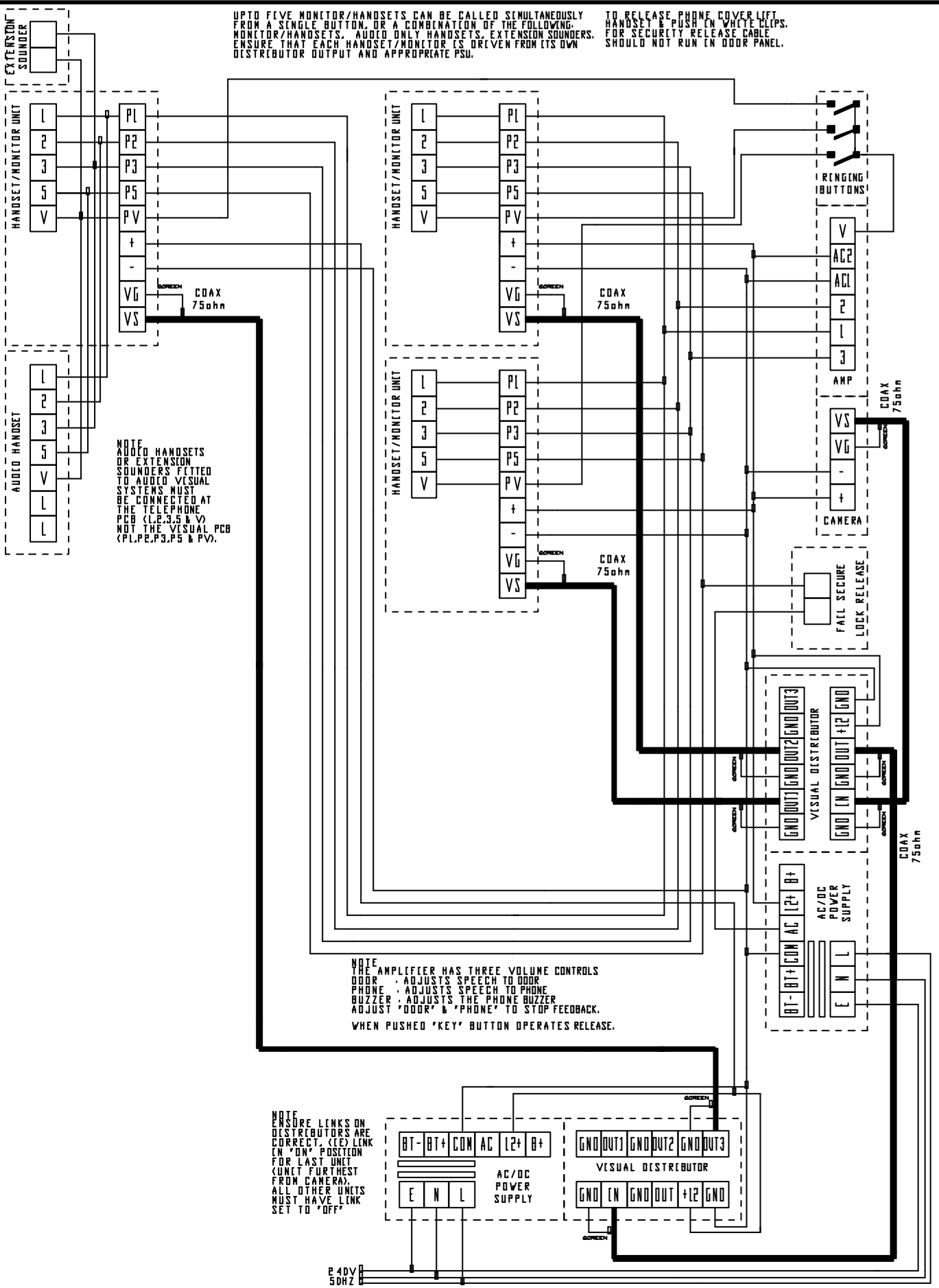
DATE 22-1-1999
 ISSUE DD3
 DRAWN KGJ

ALPHA-VS AUDIO/VISUAL
 ACCESS CONTROL SYSTEM
 AUDIO/VISUAL DOOR SYSTEM WITH TWO BUTTON
 DOOR PANEL, CCD CAMERA, 1 x PSU/DISTRIBUTORS
 FALL SECURE 12V RELEASE, 2 x HANDSET/MONITORS
 AUDIO ONLY HANDSET & EXTENSION SOUNDER.

DRAWING NUMBER
 ALPHA-VS
 041_015

UPTO FIVE MONITOR/HANDETS CAN BE CALLED SIMULTANEOUSLY FROM A SINGLE BUTTON, OR A COMBINATION OF THE FOLLOWING: MONITOR/HANDETS. AUDIO ONLY HANDETS, EXTENSION SOUNDERS. ENSURE THAT EACH HANDESET/MONITOR IS DRIVEN FROM ITS OWN DISTRIBUTOR OUTPUT AND APPROPRIATE PSU.

TO RELEASE, PHONE COVER LIFT, HANDESET & PUSH IN WHITE CLIPS. FOR SECURITY RELEASE CABLE SHOULD NOT RUN IN DOOR PANEL.



NOTE
ADDED HANDETS
OR EXTENSION
SOUNDERS FITTED
TO AUDIO VISUAL
SYSTEMS MUST
BE CONNECTED AT
THE TELEPHONE
PCB (L,2,3,5 & V)
NOT THE VISUAL PCB
(PL,P2,P3,P5 & PV).

NOTE
THE AMPLIFIER HAS THREE VOLUME CONTROLS
DOOR . ADJUSTS SPEECH TO DOOR
PHONE . ADJUSTS SPEECH TO PHONE
BUZZER . ADJUSTS THE PHONE BUZZER
ADJUST 'DOOR' & 'PHONE' TO STOP FEEDBACK.
WHEN PUSHED 'KEY' BUTTON OPERATES RELEASE.

NOTE
ENSURE LINKS ON
DISTRIBUTORS ARE
CORRECT. (E) LINK
IN 'ON' POSITION
FOR LAST UNIT
(UNIT FURTHEST
FROM CAMERA).
ALL OTHER UNITS
MUST HAVE LINK
SET TO 'OFF'

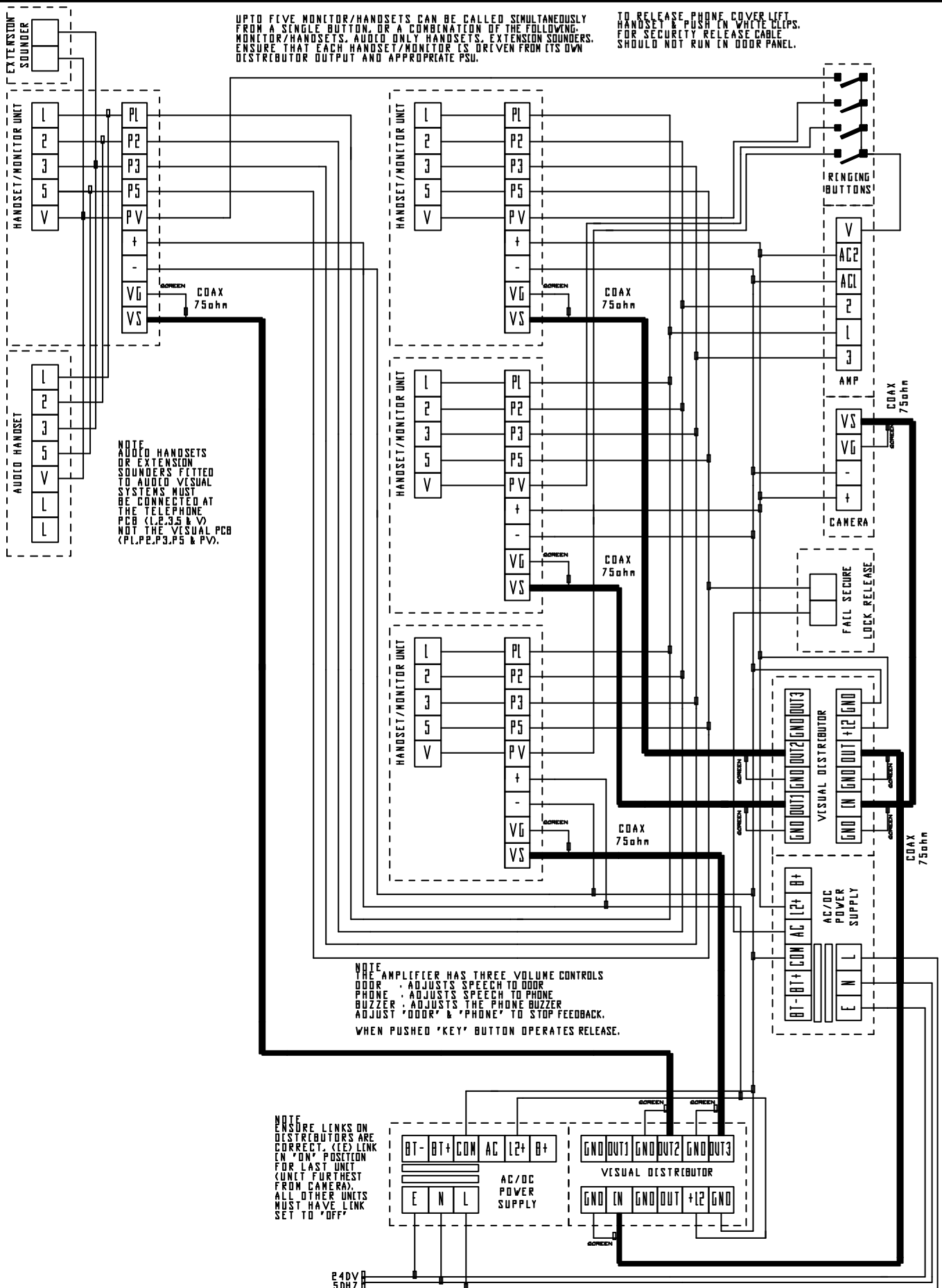
DATE LL-10-2001
ISSUE DD4
DRAWN KGJ

ALPHA-VS AUDIO/VISUAL
ACCESS CONTROL SYSTEM
AUDIO/VISUAL DOOR SYSTEM WITH THREE BUTTON
DOOR PANEL, CCD CAMERA, 2 x PSU/DISTRIBUTORS
FALL SECURE LEV RELEASE, 3 x HANDESET/MONITORS
AUDIO ONLY HANDESET & EXTENSION SOUNDER.

DRAWING NUMBER
ALPHA-VS
041_016

UP TO FIVE MONITOR/HANDSETS CAN BE CALLED SIMULTANEOUSLY FROM A SINGLE BUTTON, OR A COMBINATION OF THE FOLLOWING: MONITOR/HANDSETS, AUDIO ONLY HANDSETS, EXTENSION SOUNDERS. ENSURE THAT EACH HANDSET/MONITOR IS DRIVEN FROM ITS OWN DISTRIBUTOR OUTPUT AND APPROPRIATE PSU.

TO RELEASE PHONE COVER LEFT, HANDSET & PUSH IN WHITE CLIPS. FOR SECURITY RELEASE CABLE SHOULD NOT RUN IN DOOR PANEL.



NOTE: ADDITIONAL HANDSETS OR EXTENSION SOUNDERS FITTED TO AUDIO VISUAL SYSTEMS MUST BE CONNECTED AT THE TELEPHONE PCB (L2, P3 & V) NOT THE VISUAL PCB (PL, P2, P3, P5 & PV).

NOTE: THE AMPLIFIER HAS THREE VOLUME CONTROLS: 'DOOR' - ADJUSTS SPEECH TO DOOR; 'PHONE' - ADJUSTS SPEECH TO PHONE; 'BUZZER' - ADJUSTS THE PHONE BUZZER. ADJUST 'DOOR' & 'PHONE' TO STOP FEEDBACK. WHEN PUSHED 'KEY' BUTTON OPERATES RELEASE.

NOTE: ENSURE LINKS ON DISTRIBUTORS ARE CORRECT. (E) LINK IN 'ON' POSITION FOR LAST UNIT (UNIT FURTHEST FROM CAMERA). ALL OTHER UNITS MUST HAVE LINK SET TO 'OFF'.

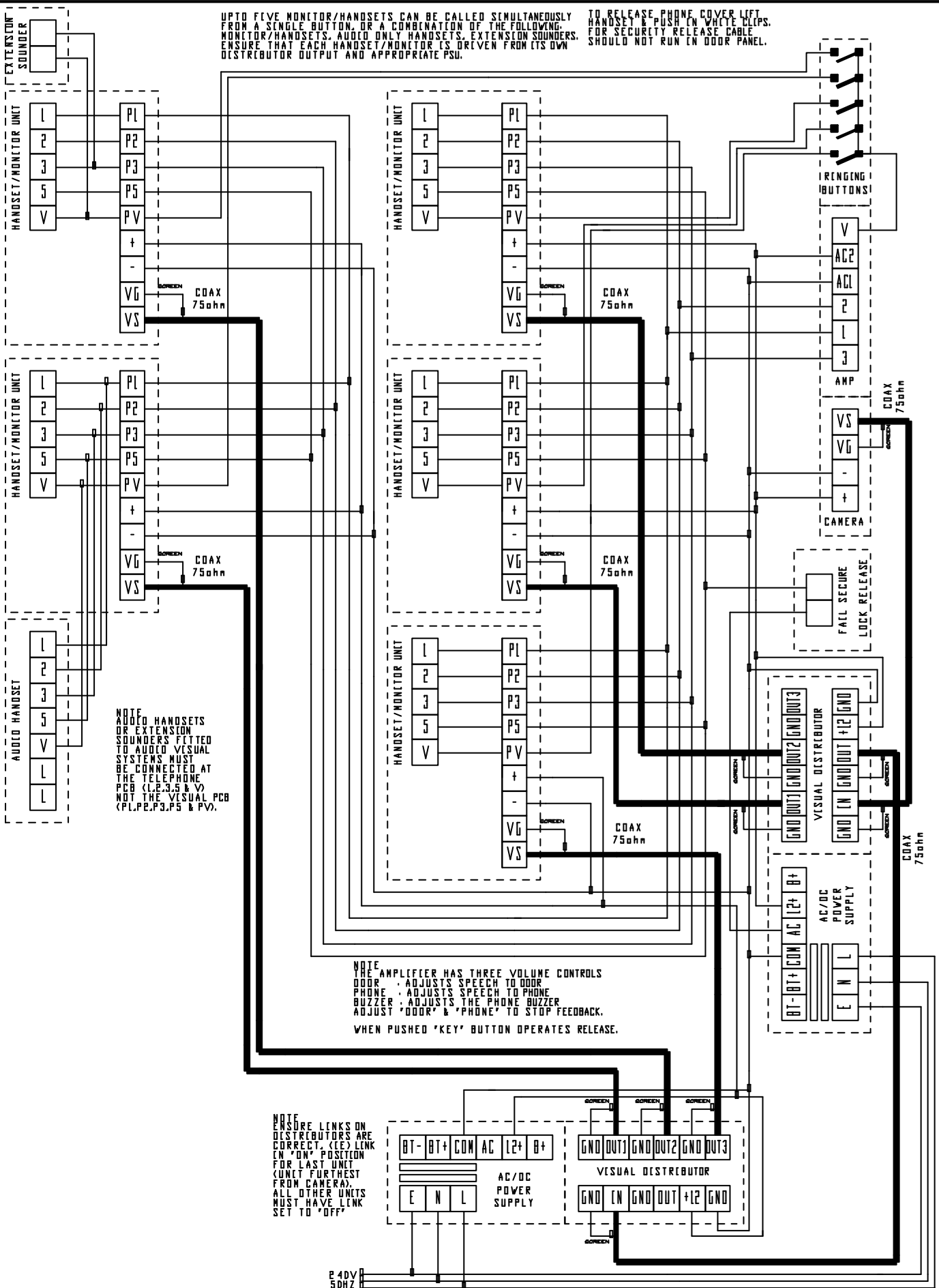
DATE 22-1-1999
 ISSUE 003
 DRAWN K.G.J.

ALPHA-VS AUDIO/VISUAL
 ACCESS CONTROL SYSTEM
 AUDIO/VISUAL DOOR SYSTEM WITH FOUR BUTTON
 DOOR PANEL, CCD CAMERA, 2 x PSU/DISTRIBUTORS
 FALL SECURE LEV RELEASE, 4 x HANDSET/MONITORS
 AUDIO ONLY HANDSET & EXTENSION SOUNDER.

DRAWING NUMBER
 ALPHA-VS
 041_017

UP TO FIVE MONITOR/HANDSETS CAN BE CALLED SIMULTANEOUSLY FROM A SINGLE BUTTON, OR A COMBINATION OF THE FOLLOWING. MONITOR/HANDSETS. AUDIO ONLY HANDSETS, EXTENSION SOUNDERS. ENSURE THAT EACH HANDSET/MONITOR IS DRIVEN FROM ITS OWN DISTRIBUTOR OUTPUT AND APPROPRIATE PSU.

TO RELEASE PHONE COVER LIFT HANDSET & PUSH IN WHITE CLIPS. FOR SECURITY RELEASE CABLE SHOULD NOT RUN IN DOOR PANEL.



NOTE: IF HANDSETS OR EXTENSION SOUNDERS FITTED TO AUDIO VISUAL SYSTEMS MUST BE CONNECTED AT THE TELEPHONE PCB (L.E. 3.5 & V) NOT THE VISUAL PCB (PL, P2, P3, P5 & PV).

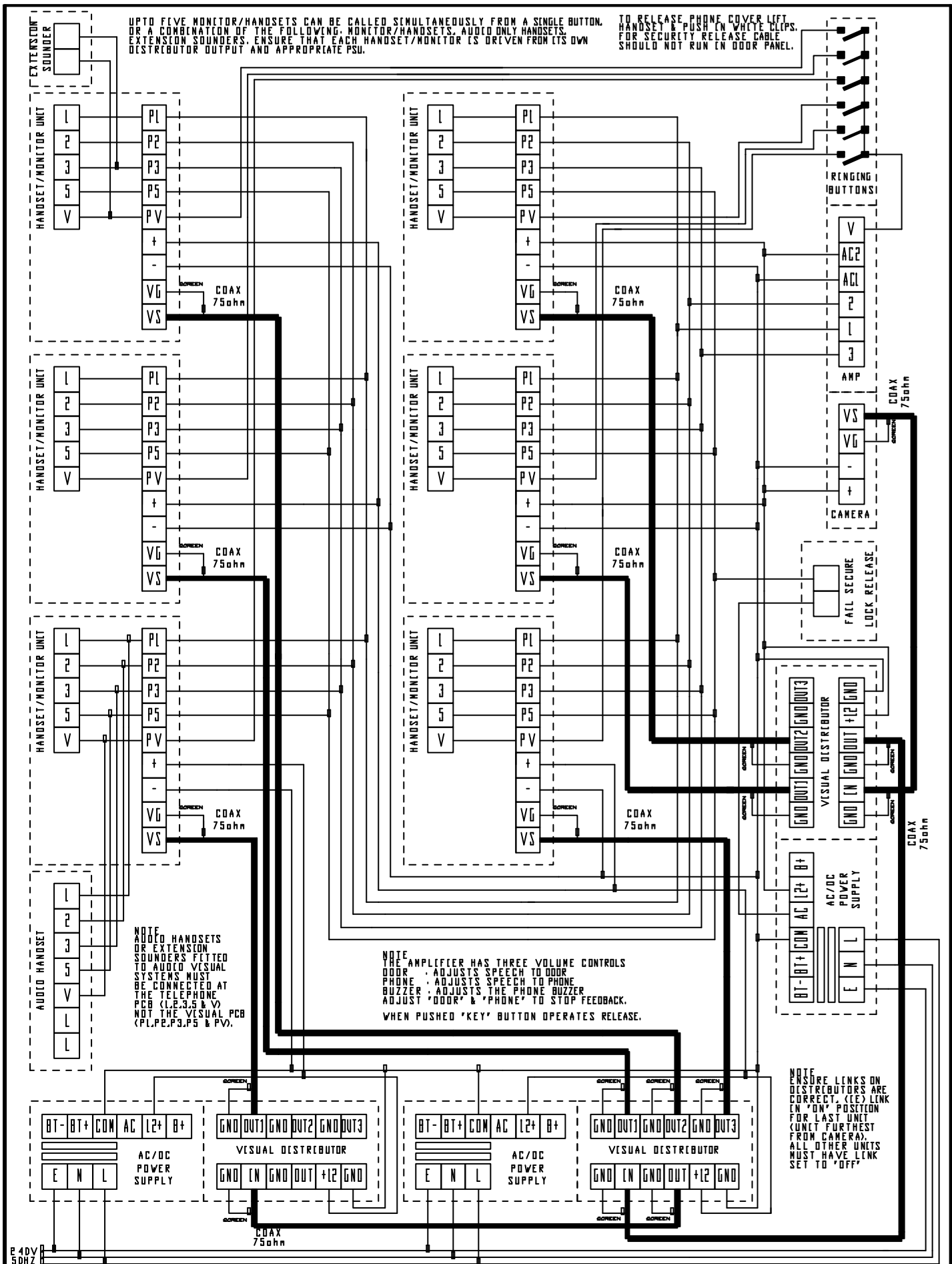
NOTE: THE AMPLIFIER HAS THREE VOLUME CONTROLS
 DOOR - ADJUSTS SPEECH TO DOOR
 PHONE - ADJUSTS SPEECH TO PHONE
 BUZZER - ADJUSTS THE PHONE BUZZER
 ADJUST 'DOOR' & 'PHONE' TO STOP FEEDBACK.
 WHEN PUSHED 'KEY' BUTTON OPERATES RELEASE.

NOTE: ENSURE LINKS ON DISTRIBUTORS ARE CORRECT. (E) LINK IN 'ON' POSITION FOR LAST UNIT (UNIT FURTHEST FROM CAMERA). ALL OTHER UNITS MUST HAVE LINK SET TO 'OFF'

DATE 22-1-1999
 ISSUE 003
 DRAWN KGJ

ALPHA-VS AUDIO/VISUAL
 ACCESS CONTROL SYSTEM
 AUDIO/VISUAL DOOR SYSTEM WITH FIVE BUTTON
 DOOR PANEL, CCD CAMERA, 2 x PSU/DISTRIBUTORS
 FALL SECURE LEV RELEASE, 5 x HANDSET/MONITORS
 AUDIO ONLY HANDSET & EXTENSION SOUNDER.

DRAWING NUMBER
 ALPHA-VS
 041_018



UPTO FIVE MONITOR/HANDSETS CAN BE CALLED SIMULTANEOUSLY FROM A SINGLE BUTTON, OR A COMBINATION OF THE FOLLOWING: MONITOR/HANDSETS, AUDIO ONLY HANDSETS, EXTENSION SOUNDERS. ENSURE THAT EACH HANDSET/MONITOR IS DRIVEN FROM ITS OWN DISTRIBUTOR OUTPUT AND APPROPRIATE PSU.

TO RELEASE PHONE COVER, LIFT HANDSET & PUSH IN WHITE CLIPS. FOR SECURITY RELEASE CABLE SHOULD NOT RUN IN DOOR PANEL.

NOTE
 ADD'D HANDSETS OR EXTENSION SOUNDERS FITTED TO AUDIO VISUAL SYSTEMS MUST BE CONNECTED AT THE TELEPHONE PCB (L, 2, 3, 5 & V) NOT THE VISUAL PCB (PL, P2, P3, P5 & PV).

NOTE
 THE AMPLIFIER HAS THREE VOLUME CONTROLS
 DOOR : ADJUSTS SPEECH TO DOOR
 PHONE : ADJUSTS SPEECH TO PHONE BUZZER
 ADJUST 'DOOR' & 'PHONE' TO STOP FEEDBACK.
 WHEN PUSHED 'KEY' BUTTON OPERATES RELEASE.

NOTE
 ENSURE LINKS ON DISTRIBUTORS ARE CORRECT. (LE) LINK IN 'ON' POSITION FOR LAST UNIT (UNIT FURTHEST FROM CAMERA). ALL OTHER UNITS MUST HAVE LINKS SET TO 'OFF'

E 240V 50HZ

DATE 22-1-1999
 ISSUE 003
 DRAWN KGJ

ALPHA-VS AUDIO/VISUAL
 ACCESS CONTROL SYSTEM
 AUDIO/VISUAL DOOR SYSTEM WITH SIX BUTTON
 DOOR PANEL, CCD CAMERA, 3 x PSU/DISTRIBUTORS
 FALLSECURE LEV RELEASE, 6 x HANDSET/MONITORS
 AUDIO ONLY HANDSET & EXTENSION SOUNDER.

DRAWING NUMBER
 ALPHA-VS
 041_019

