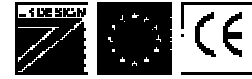


# ALPHA

## ACCESS CONTROL SYSTEMS

VISUAL  
SYSTEM  
(COLOUR)

INSTALLATION  
INSTRUCTIONS



ISSUE : 001/UK

REF : ALPHA\_VS\_(Col).PPP

### MAIN FEATURES

**DOOR PANEL TYPES** - Aluminium, S/Steel & Polished Brass  
**BUILT IN CCD CAMERA** - With 3.7mm auto iris wide lens  
**BACKUP LIGHTING** - For portrait and back up illumination  
**HIGH QUALITY AMPLIFIER** - Individual volume & buzzer controls  
**LOW PROFILE SURFACE MOUNTING BOX** - Only 30mm deep  
**REVOLUTIONARY HANDSET/MONITOR** - With call tone buzzer  
**CALL TONE CONTROL** - Allows volume adjustment of call tone  
**PICTURE CALL UP BUTTON** - Allows viewing at any time  
**SIMPLE WIRING** - Coaxial system allows long cable runs  
**POWER SUPPLY** - May be a simple 12VAC/DC input

### TECHNICAL SPECIFICATION

**Power Supply Unit** ... .. 240v prim. 12vAC/DC sec. (1amp)  
**Amplifier Power** ... .. 12v AC/DC 50mA  
**Amplifier Speaker** ... .. 50mm dia. 8ohms 0.25w  
**Amplifier Microphone** ... .. 10mm dia. electret microphone  
**Handset Speaker** ... .. 50mm dia. 8ohms 0.25w  
**Handset Microphone** ... .. 50mm dia. carbon microphone  
**Monitor screen** ... .. 12VDC 300mA 1vp/p 75ohm  
**CCD Camera (1/3")** ... .. 12VDC 118mA 1vp/p 75ohm 3.7mm  
**Lighting Levels** ... .. 5 Lux VL/peak 530nm

### SYSTEM DESIGN

ALPHA (Colour) Visual Entry Systems are a low cost but fully featured family of products that can be used in simple single door applications, multiple apartment systems, or multiple office situations. They can be combined with any of the DECA Digital, Swipe Card, or Proximity Tag, access systems to provide control for single doors or more complex multiple door installations.

All of the items needed to install a working access control system are included in the kit, with the exception of a latch lock, see note.  
Any of the DECA Access systems (Digital, Swipe Card or Proximity) can be connected to the DECA Printer Interface to provide an audit trail of entry events.

### OVERVIEW & INSTALLATION INSTRUCTIONS

The ALPHA (Colour) Visual Entry System is a simple to install door entry system allowing audio/visual communication and remote operation of the door release to provide entry for unauthorized personnel.

#### EQUIPMENT

The audio/visual system is normally supplied in kit form containing a door panel complete with CCD camera & backup lighting for mounting outside the door, wall mounted handset/monitors & PSU/Distributors and a standard surface fitting lock release.

#### SYSTEM OPERATION

Operation requires the visitor to press the button on the door panel to activate a call tone in the handset/monitor, a visual image will be displayed and two way conversation activated, enabling identification of the caller. Access is allowed by pressing the release button.

#### TELEPHONE HANDSET/MONITOR

To release the telephone cover remove the handset from its cradle press in the clips on each side and slide down. The contrast & brightness controls, located on the bottom of the unit, are multi turn. (9 turns min to max) Adjust to give the best image.

#### PICTURE CALL UP BUTTON

The telephone handset has picture call up button, with a "star" symbol, this allows the camera picture to be viewed at any time.

#### AMPLIFIER

The amplifier has two volume controls marked "Phone" & "Door". These controls should be adjusted with a small screwdriver or pot trimming tool to give the maximum volume without feed back. (ie)

high pitched whistle or echo in the ear piece when the handset is in use, lifted or replaced.

#### CCD CAMERA

The CCD camera is equipped with a 3.7mm wide angle pin hole lens & an auto iris shutter fixed at f4.5 The camera module also has a backup lighting array to provide a level of night time illumination. Visible lighting levels should be in the order of 5 lux.

#### POWER SUPPLY UNIT(s)

The system is powered by the 12vAC/DC PSU/Distributors.

#### LOCK RELEASE

The lock release is a 12vAC surface failsecure unit for inward opening wooden doors fitted with a surface latch lock.

### INSTALLATION INSTRUCTIONS

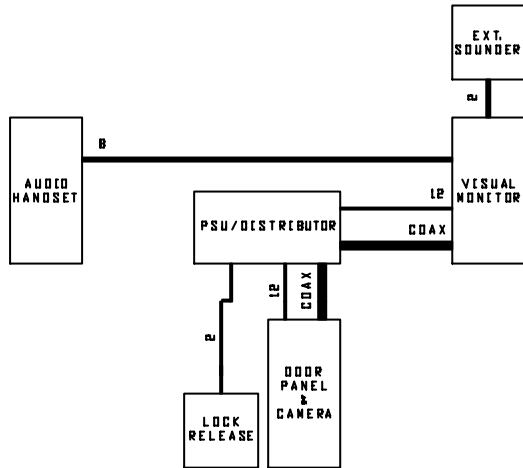
**DOOR PANEL** Install on the unsecure side of door adjacent to the door frame, if external seal between the back box and the wall. Adjust volume pots.

**TELEPHONE HANDSET/MONITOR** Install internally, fit the wall plate first ensuring that the cables are free to move within the entry hole. Clip unit to back plate & secure.

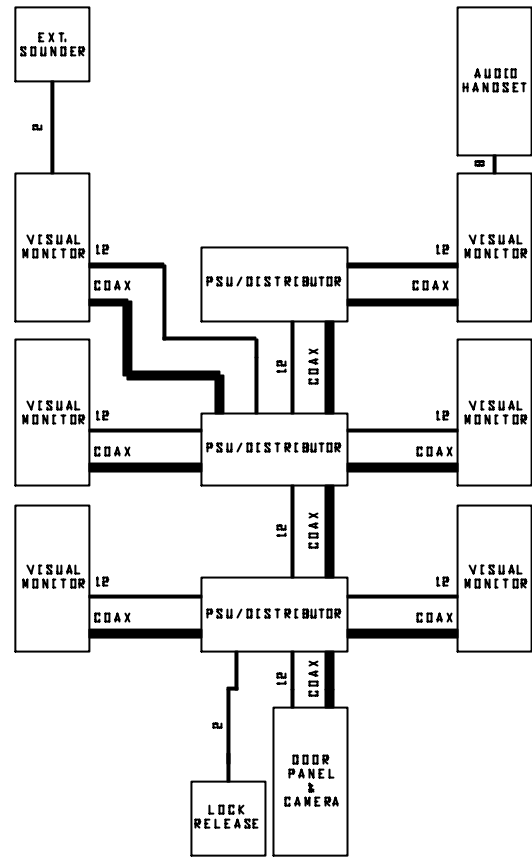
**POWER SUPPLY UNIT(s)** Install internally and feed via a 5amp 240v AC supply.

**LOCK RELEASE** Replace the existing lock keep with the electric release.

NOTE  
 RECOMMENDED COAXIAL CABLE URM71 (75ohm)  
 RECOMMENDED LP WIRE CABLE (7/18)  
 RECOMMENDED B WIRE CABLE (7/18)  
 RECOMMENDED P WIRE CABLE (7/18)



TYPICAL ONE BUTTON SYSTEM WITH AUDIO HANDSET & EXTENSION SOUNDER



TYPICAL SIX BUTTON SYSTEM WITH AUDIO HANDSET & EXTENSION SOUNDER

AUDIO/VISUAL ENTRY SYSTEM  
 PSU/DISTRIBUTOR SELECTION TABLE

NO. OF MONITORS IN SYSTEM	No. DIST/PSUs REQUIRED	NO. OF MONITORS IN SYSTEM	No. DIST/PSUs REQUIRED	NO. OF MONITORS IN SYSTEM	No. DIST/PSUs REQUIRED	NO. OF MONITORS IN SYSTEM	No. DIST/PSUs REQUIRED	NO. OF MONITORS IN SYSTEM	No. DIST/PSUs REQUIRED
1	1	7	3	13	5	19	7	25	9
2	1	8	3	14	5	20	7	26	9
3	2	9	4	15	6	21	8	27	10
4	2	10	4	16	6	22	8	28	10
5	2	11	4	17	6	23	8	29	10
6	3	12	5	18	7	24	9	30	11

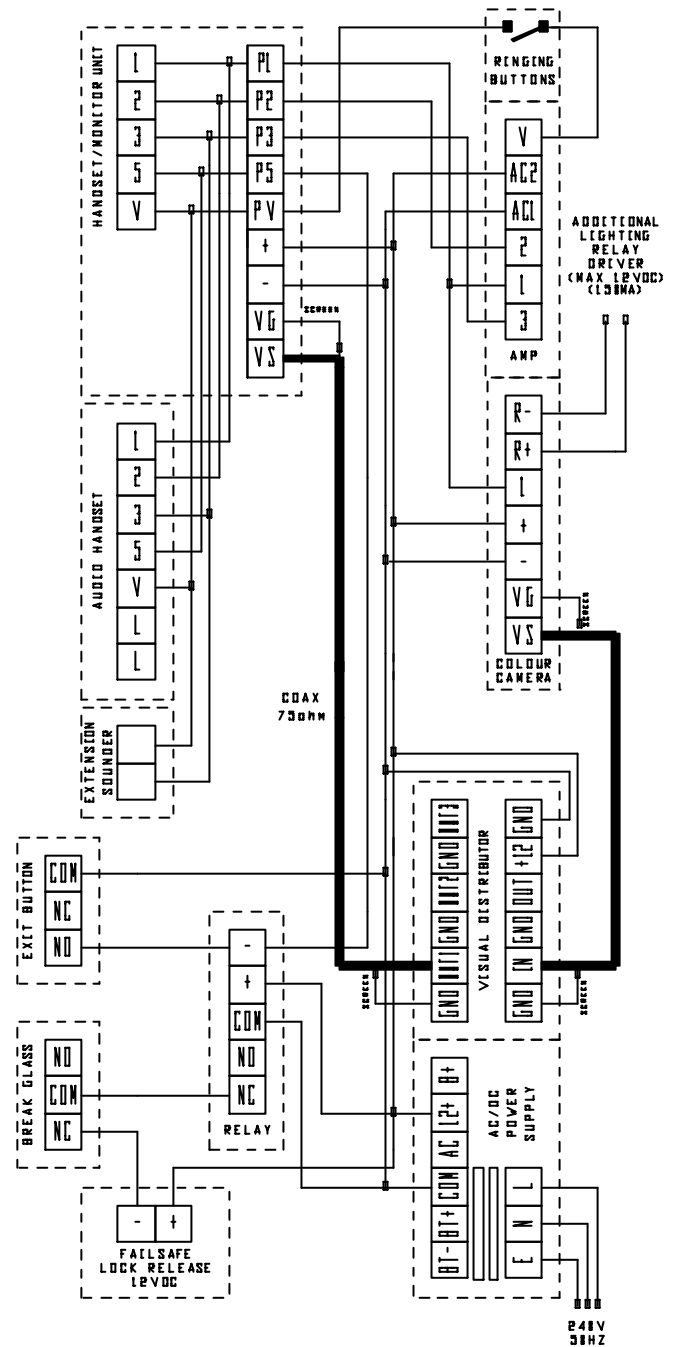
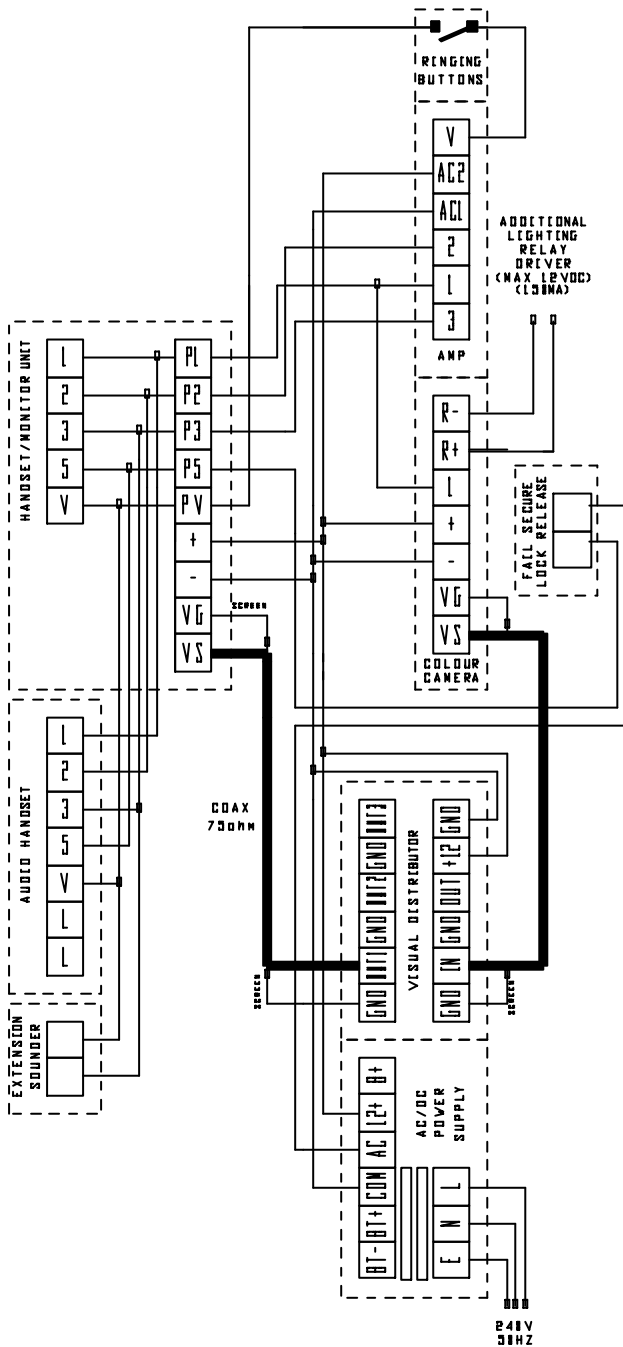
DATE 22-1-1999  
 ISSUE 003  
 DRAWN KGJ

ALPHA-VS AUDIO/VISUAL  
 SCHEMATIC DIAGRAM  
 SCHEMATIC DIAGRAM FOR TYPICAL VISUAL SYSTEMS  
 AND  
 PSU/DISTRIBUTOR SELECTION CHART

DRAWING NUMBER  
 ALPHA-VC  
 041\_016

ONE BUTTON  
VISUAL SYSTEM  
FAILSECURE CONNECTION

ONE BUTTON  
VISUAL SYSTEM  
FAILSAFE CONNECTION



GENERAL NOTES

UPTO FIVE MONITOR/HANDSETS CAN BE CALLED SIMULTANEOUSLY FROM A SINGLE BUTTON, OR A COMBINATION OF THE FOLLOWING MONITOR/HANDSETS. AUDIO ONLY HANDSETS, EXTENSION SOUNDERS, ENSURE THAT EACH HANDSET/MONITOR IS DRIVEN FROM ITS OWN DISTRIBUTOR OUTPUT AND APPROPRIATE PSU

ENSURE LINKS ON DISTRIBUTORS ARE CORRECT (C) LINK IN 'ON' POSITION FOR LAST UNIT (UNIT FURTHEST FROM CAMERA). ALL OTHER UNITS MUST HAVE LINK SET TO 'OFF'

TO RELEASE PHONE COVER LEFT HANDSET & PUSH IN WHITE CLIPS FOR SECURITY RELEASE CABLE SHOULD NOT RUN IN DOOR PANEL

THE AMPLIFIER HAS THREE VOLUME CONTROLS  
 ODRR : ADJUSTS SPEECH TO ODRR  
 PHONE : ADJUSTS SPEECH TO PHONE  
 BUZZER : ADJUSTS THE PHONE BUZZER  
 ADJUST 'ODRR' & 'PHONE' TO STOP FEEDBACK

AUDIO HANDSETS OR EXTENSION SOUNDERS FITTED TO AUDIO VISUAL SYSTEMS MUST BE CONNECTED AT THE TELEPHONE PCB (L233&V) NOT THE VISUAL PCB (PL,P2,P3&PV)

WHEN PUSHED 'KEY' BUTTON OPERATES RELEASE, WHEN PUSHED 'STAR' BUTTON OPERATES MONITOR

DATE 9-2-2011

ISSUE III

DRAWN KGJ

ALPHA-VC (COLOUR) AUDIO/VISUAL

ACCESS CONTROL SYSTEM

COLOUR AUDIO/VISUAL ODRR SYSTEM WITH ONE BUTTON  
 ODRR PANEL, CCD CAMERA, 1 x PSU/DISTRIBUTORS  
 FAILSECURE/FAILSAFE 12V RELEASE, 1 x HANDSET/MONITORS  
 AUDIO ONLY HANDSET & EXTENSION SOUNDER

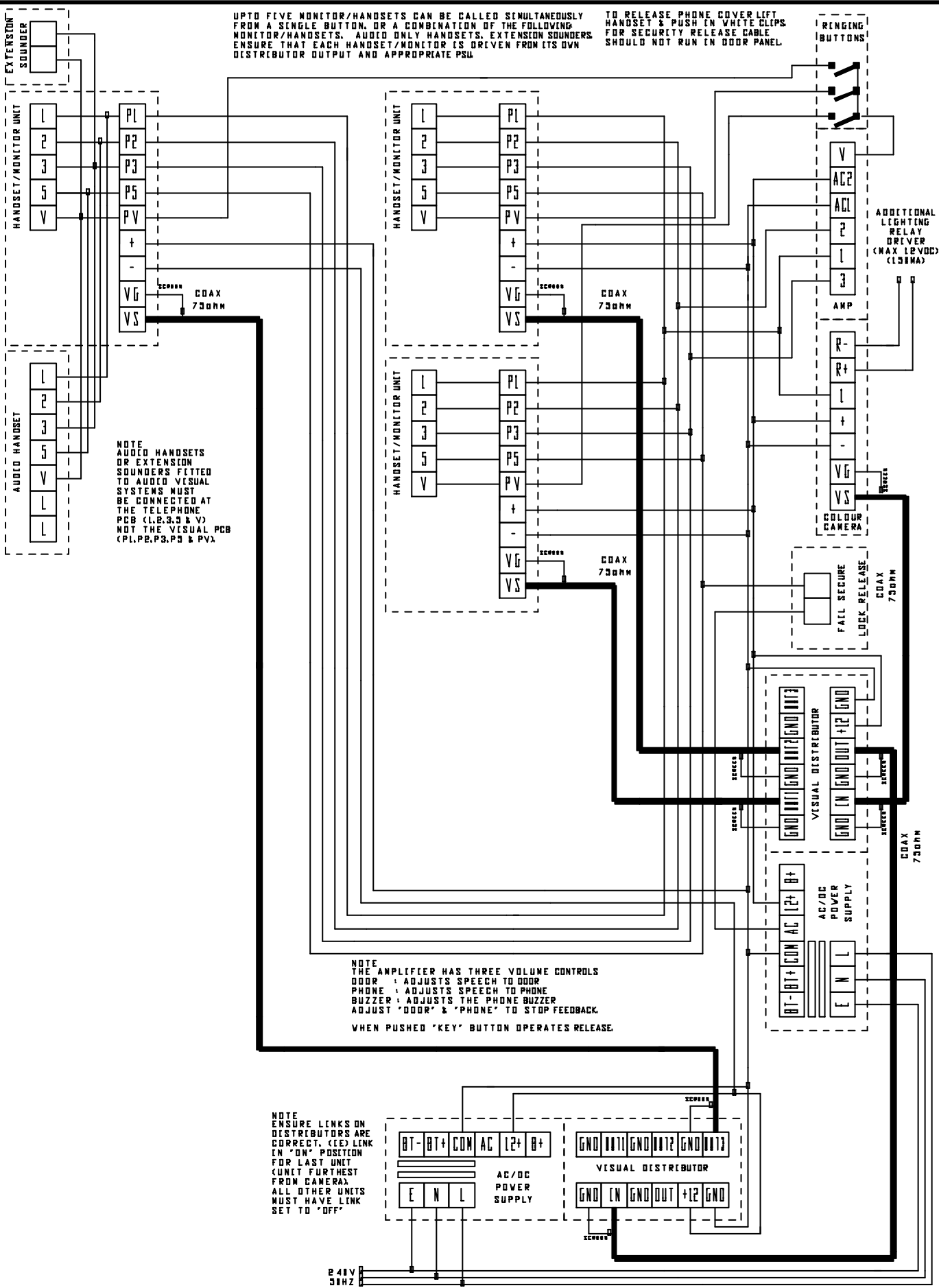
DRAWING NUMBER

ALPHA-VC  
 044\_017



UP TO FIVE MONITOR/HANDETS CAN BE CALLED SIMULTANEOUSLY FROM A SINGLE BUTTON, OR A COMBINATION OF THE FOLLOWING MONITOR/HANDETS. AUDIO ONLY HANDETS, EXTENSION SOUNDERS ENSURE THAT EACH HANDESET/MONITOR IS DRIVEN FROM ITS OWN DISTRIBUTOR OUTPUT AND APPROPRIATE PSU

TO RELEASE PHONE COVER LIFT HANDESET & PUSH IN WHITE CLIPS FOR SECURITY RELEASE CABLE SHOULD NOT RUN IN DOOR PANEL



NOTE  
AUDIO HANDETS  
OR EXTENSION  
SOUNDERS FITTED  
TO AUDIO VISUAL  
SYSTEMS MUST  
BE CONNECTED AT  
THE TELEPHONE  
PCB (L,P2,P3 & V)  
NOT THE VISUAL PCB  
(PL,P2,P3,P5 & PV)

NOTE  
THE AMPLIFIER HAS THREE VOLUME CONTROLS  
DOOR : ADJUSTS SPEECH TO DOOR  
PHONE : ADJUSTS SPEECH TO PHONE  
BUZZER : ADJUSTS THE PHONE BUZZER  
ADJUST 'DOOR' & 'PHONE' TO STOP FEEDBACK.  
WHEN PUSHED 'KEY' BUTTON OPERATES RELEASE.

NOTE  
ENSURE LINKS ON  
DISTRIBUTORS ARE  
CORRECT. (CE) LINK  
IN 'ON' POSITION  
FOR LAST UNIT  
(UNIT FURTHEST  
FROM CAMERA).  
ALL OTHER UNITS  
MUST HAVE LINK  
SET TO 'OFF'

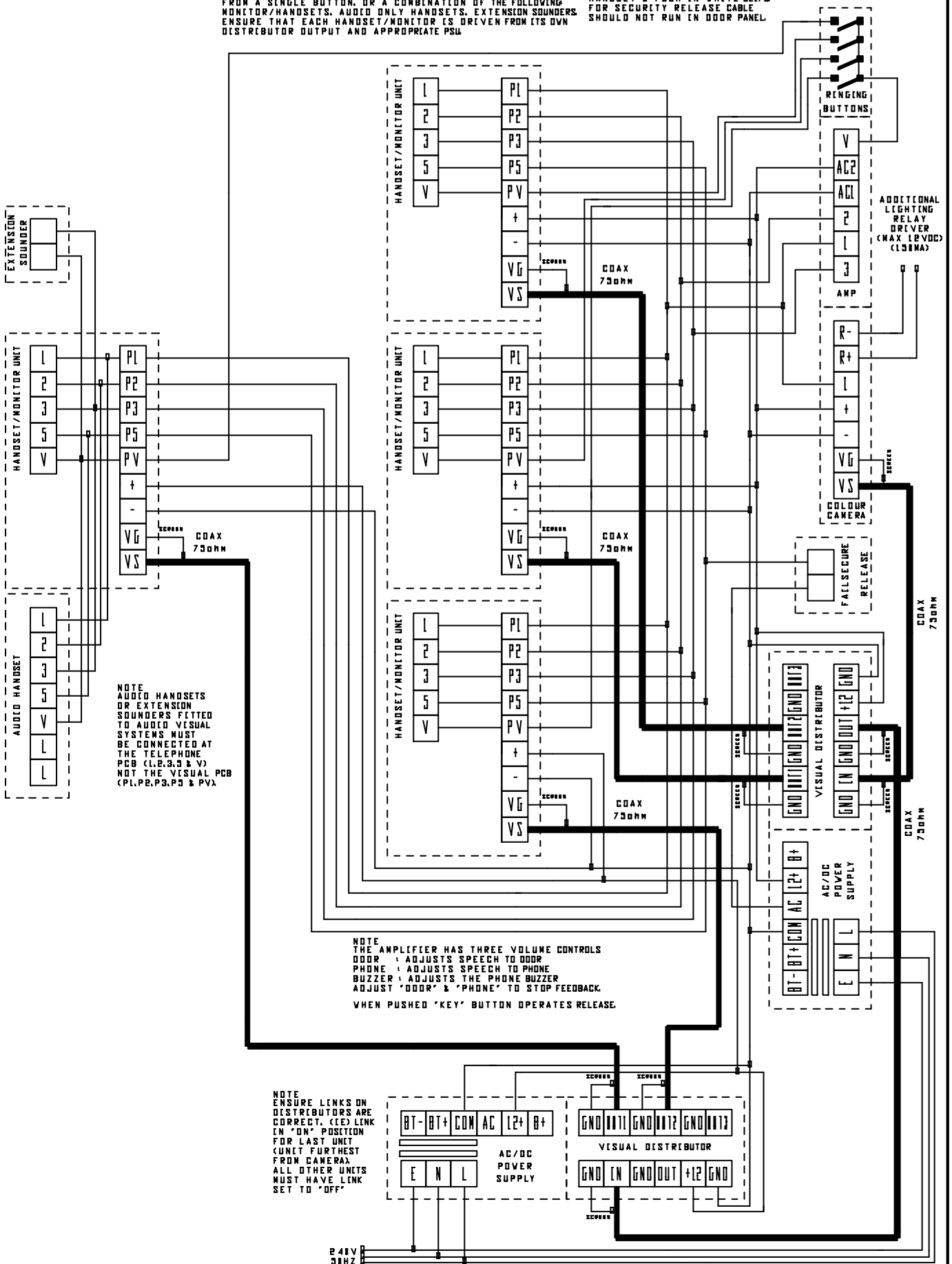
DATE 9-2-2011  
ISSUE III  
DRAWN KGJ

ALPHA-VC (COLOUR) AUDIO/VISUAL  
ACCESS CONTROL SYSTEM  
COLOUR AUDIO/VISUAL DOOR SYSTEM WITH THREE BUTTON  
DOOR PANEL, COLOUR CCD CAMERA, 2 x PSU/DISTRIBUTORS  
FAILSECURE L2V RELEASE, 3 x HANDESET/MONITORS  
AUDIO ONLY HANDESET & EXTENSION SOUNDER

DRAWING NUMBER  
ALPHA-VC  
044\_019

UP TO FIVE MONITOR/HANDSETS CAN BE CALLED SIMULTANEOUSLY FROM A SINGLE BUTTON, OR A COMBINATION OF THE FOLLOWING MONITOR/HANDSETS, AUDIO ONLY HANDSETS, EXTENSION SOUNDERS. ENSURE THAT EACH HANDSET/MONITOR IS DRIVEN FROM ITS OWN DISTRIBUTOR OUTPUT AND APPROPRIATE PSU

TO RELEASE PHONE COVER LEFT HANDSET & PUSH IN WHITE CLIPS FOR SECURITY RELEASE CABLE SHOULD NOT RUN IN DOOR PANEL



NOTE  
AUDIO HANDSETS  
OR EXTENSION  
SOUNDERS FITTED  
TO AUDIO VISUAL  
SYSTEMS MUST  
BE CONNECTED AT  
THE TELEPHONE  
PCB (L,P2,P3 & V)  
NOT THE VISUAL PCB  
(PL,P2,P3,P5 & PV)

NOTE  
THE AMPLIFIER HAS THREE VOLUME CONTROLS  
DOOR : ADJUSTS SPEECH TO DOOR  
PHONE : ADJUSTS SPEECH TO PHONE  
BUZZER : ADJUSTS THE PHONE BUZZER  
ADJUST 'DOOR' & 'PHONE' TO STOP FEEDBACK.  
WHEN PUSHED 'KEY' BUTTON OPERATES RELEASE.

NOTE  
ENSURE LINKS ON  
DISTRIBUTORS ARE  
CORRECT. (CE) LINK  
IN 'ON' POSITION  
FOR LAST UNIT  
(UNIT FURTHEST  
FROM CAMERA).  
ALL OTHER UNITS  
MUST HAVE LINK  
SET TO 'OFF'

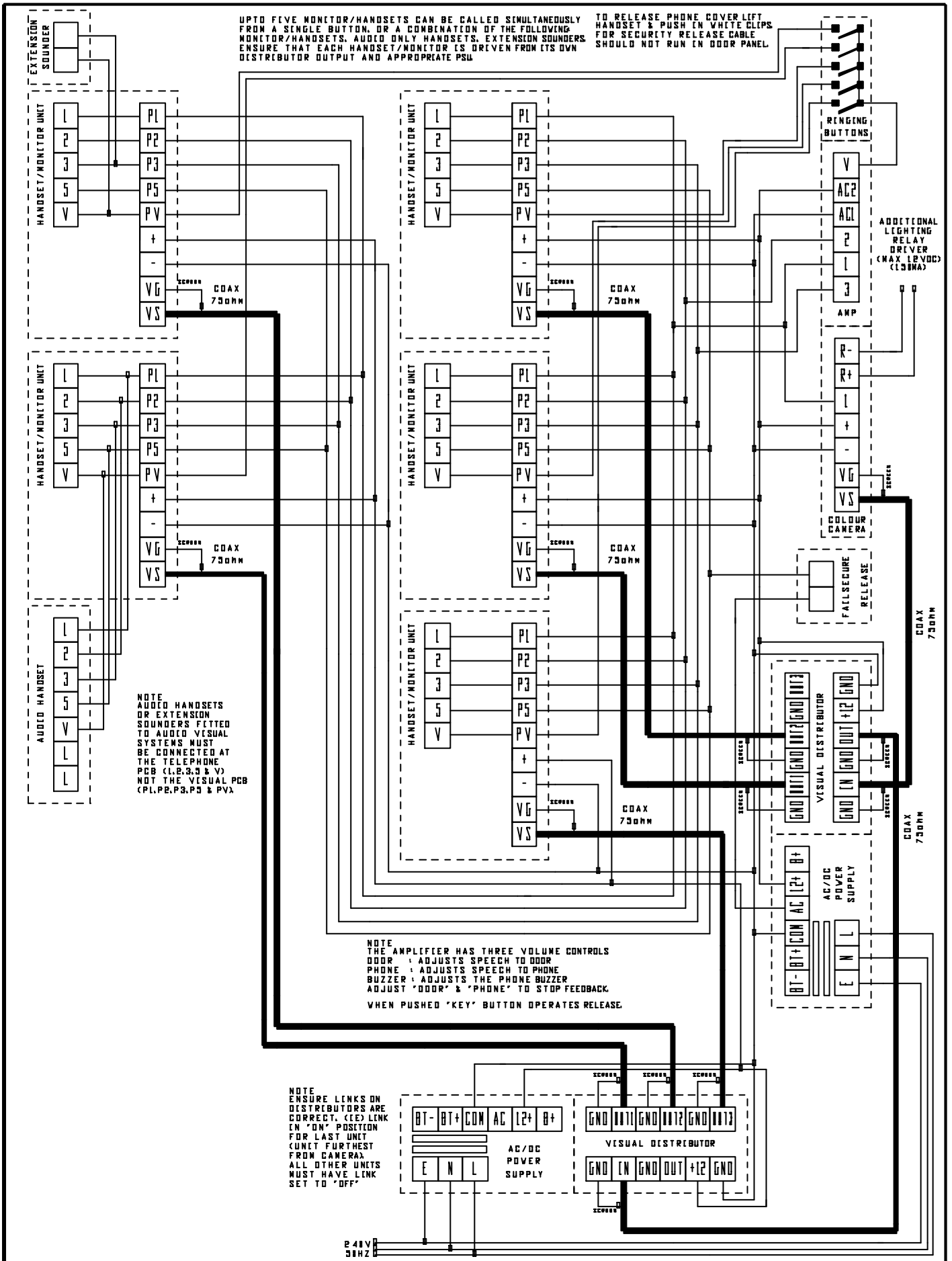
DATE 9-2-2011  
ISSUE 001  
DRAWN KGJ

ALPHA-VC (COLOUR) AUDIO/VISUAL  
ACCESS CONTROL SYSTEM  
COLOUR AUDIO/VISUAL DOOR SYSTEM WITH FOUR BUTTON  
DOOR PANEL, COLOUR CCD CAMERA, 2 x PSU/DISTRIBUTORS  
FALLSECURE 12V RELEASE, 4 x HANDSET/MONITORS  
AUDIO ONLY HANDSET & EXTENSION SOUNDER

DRAWING NUMBER  
ALPHA-VC  
044\_020

UPTO FIVE MONITOR/HANDSETS CAN BE CALLED SIMULTANEOUSLY FROM A SINGLE BUTTON, OR A COMBINATION OF THE FOLLOWING MONITOR/HANDSETS. AUDIO ONLY HANDSETS, EXTENSION SOUNDERS ENSURE THAT EACH HANDSET/MONITOR IS DRIVEN FROM ITS OWN DISTRIBUTOR OUTPUT AND APPROPRIATE PSU

TO RELEASE PHONE COVER LEFT HANDSET & PUSH IN WHITE CLIPS FOR SECURITY RELEASE CABLE SHOULD NOT RUN IN DOOR PANEL



NOTE  
 ADDED HANDSETS OR EXTENSION SOUNDERS FITTED TO AUDIO VISUAL SYSTEMS MUST BE CONNECTED AT THE TELEPHONE PCB (L,B,S,S & V) NOT THE VISUAL PCB (P1,P2,P3,P5 & PV)

NOTE  
 THE AMPLIFIER HAS THREE VOLUME CONTROLS  
 DOOR : ADJUSTS SPEECH TO DOOR  
 PHONE : ADJUSTS SPEECH TO PHONE  
 BUZZER : ADJUSTS THE PHONE BUZZER  
 ADJUST 'DOOR' & 'PHONE' TO STOP FEEDBACK  
 WHEN PUSHED 'KEY' BUTTON OPERATES RELEASE

NOTE  
 ENSURE LINKS ON DISTRIBUTORS ARE CORRECT. (C) LINK IN 'ON' POSITION FOR LAST UNIT (UNIT FURTHEST FROM CAMERA). ALL OTHER UNITS MUST HAVE LINK SET TO 'OFF'

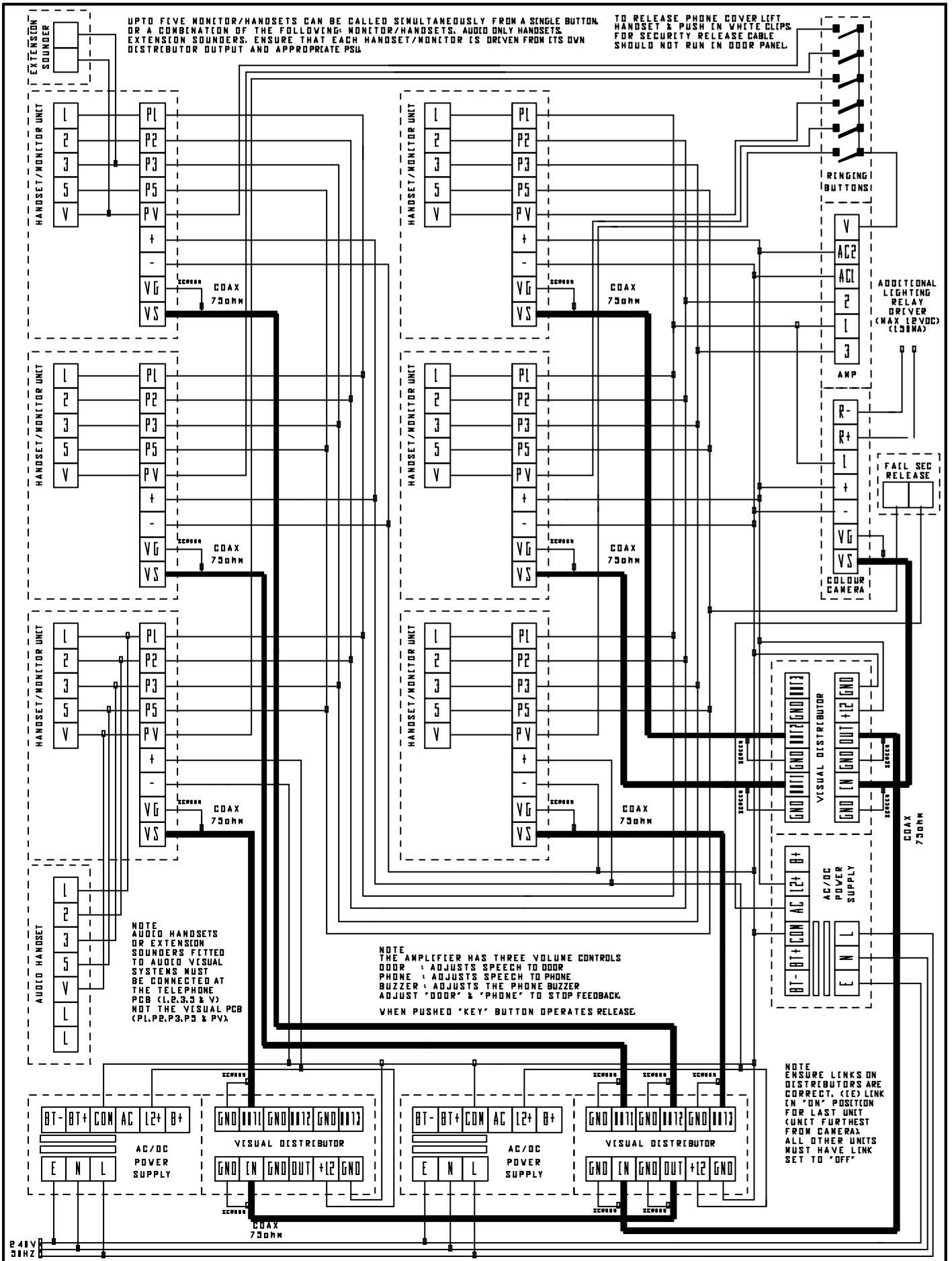
DATE 9-2-2010  
 ISSUE III  
 DRAWN KGJ

ALPHA-VC (COLOUR) AUDIO/VISUAL  
 ACCESS CONTROL SYSTEM  
 COLOUR AUDIO/VISUAL DOOR SYSTEM WITH FIVE BUTTON DOOR PANEL, COLOUR CCD CAMERA, 2 x PSU/DISTRIBUTORS  
 FALLSECURE 12V RELEASE, 5 x HANDSET/MONITORS  
 AUDIO ONLY HANDSET & EXTENSION SOUNDER

DRAWING NUMBER  
 ALPHA-VC  
 044\_021

UP TO FIVE MONITOR/HANDSETS CAN BE CALLED SIMULTANEOUSLY FROM A SINGLE BUTTON OR A COMBINATION OF THE FOLLOWING: MONITOR/HANDSETS, AUDIO ONLY HANDSETS, EXTENSION SOUNDERS. ENSURE THAT EACH HANDSET/MONITOR IS DRIVEN FROM ITS OWN DISTRIBUTOR OUTPUT AND APPROPRIATE PSU.

TO RELEASE PHONE COVER LEFT HANDSET & PUSH IN WHITE CLIPS FOR SECURITY RELEASE CABLE SHOULD NOT RUN IN DOOR PANEL.



NOTE: AUDIO HANDSETS OR EXTENSION SOUNDERS FITTED TO AUDIO VISUAL SYSTEMS MUST BE CONNECTED AT THE TELEPHONE PCB (L2, P3 & V) NOT THE VISUAL PCB (PL, P2, P3, P5 & PV).

NOTE: THE AMPLIFIER HAS THREE VOLUME CONTROLS: DOOR - ADJUSTS SPEECH TO DOOR; PHONE - ADJUSTS SPEECH TO PHONE; BUZZER - ADJUSTS THE PHONE BUZZER. ADJUST 'DOOR' & 'PHONE' TO STOP FEEDBACK. WHEN PUSHED 'KEY' BUTTON OPERATES RELEASE.

NOTE: ENSURE LINKS ON DISTRIBUTORS ARE CORRECT. (E) LINK IN 'ON' POSITION FOR LAST UNIT (UNIT FURTHEST FROM CAMERA). ALL OTHER UNITS MUST HAVE LINK SET TO 'OFF'.

DATE 9-2-2010  
ISSUE 013  
DRAWN KGJ

ALPHA-VC (COLOUR) AUDIO/VISUAL  
ACCESS CONTROL SYSTEM  
AUDIO/VISUAL COLOUR DOOR SYSTEM WITH SIX BUTTON  
DOOR PANEL, CCD CAMERA, 3 x PSU/DISTRIBUTORS  
FAIL SECURE 12V RELEASE, 6 x HANDSET/MONITORS  
AUDIO ONLY HANDSET & EXTENSION SOUNDER.

DRAWING NUMBER  
ALPHA-VC  
044\_022



